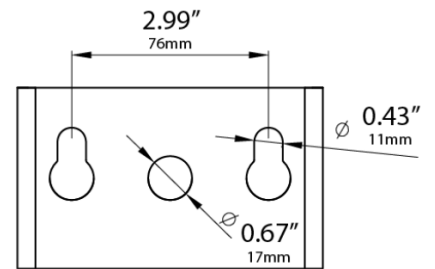
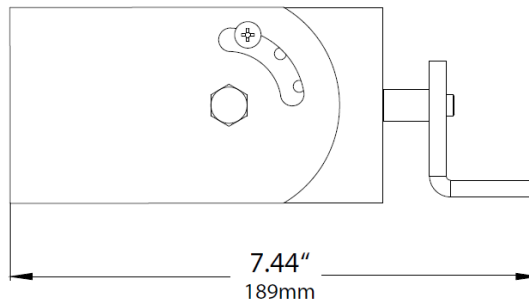
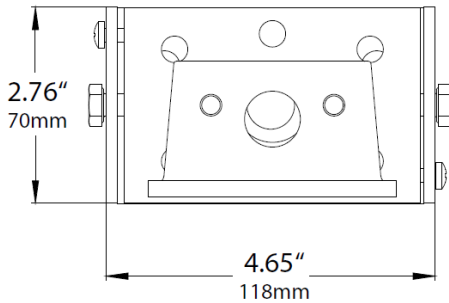


Trunnion Mount for LOC-RGAL & LOC-SPAL Series



MODEL	QUANTITY	WEIGHT	UPC CODE
Trunnion for LOC-RGAL & LOC-SPAL	1	3.2 lbs	00815586028696

MEASUREMENTS



TRUNNION MOUNTING: Follow mounting directions as in Fig. 2.

CAUTION: UL and CUL listed or CSA certified liquid tight cord grip suitable for use with 3 conductor type STW flexible cord shall be used for connection to a wet location outlet box provided by others.

- Loosen the pivot bolts and angle locking screw.
- Adjust the fixture to desired angle.
- Tighten pivot bolts and angle locking screw.

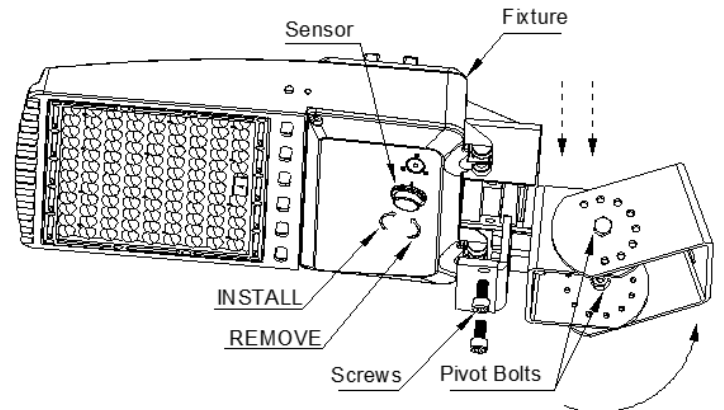


FIG.2